

envirobrite

ENERGY PLANNING ASSOCIATES

envirobrite
greenSEAL

FID HIGH BAY

Description

Envirobrite's® FID Induction Lamp fixture is an excellent option for difficult maintenance areas. The 11 year (100,000 hour) lamp life ensures a lasting light in hard to reach areas. The FID is capable of producing 12,000 lumens thus making it a practical alternative to HID fixtures. The FID fixture's compact design produces excellent energy savings and superior lighting within a small footprint. The Aluminum body fixture FID is a favored material for its thermal properties and ability to illuminate and operate efficiently in cold and high temperature environments. Added benefits of instant start ups, premium color rendition, comparable lumens per watt and reduced glare makes the FID an excellent alternative to older HID luminaires.

Application

FID well known for relieving costly maintenance expenses for difficult to reach areas or for use in parking garages, security areas and high ceiling areas. The fixture provides vertical and horizontal uniformity in lighting design. Significant advancement in fluorescent lamps, ballasts and fixture efficiencies and the addition of rebates have made fluorescent lighting and the FID fixture a cost-effective choice for these types of applications.

Design

The Envirobrite® FID's compact design, lightweight aluminum construction, universal mounting brackets and multiple mounting options was designed by our expert in-house lighting engineers for ideal photometry and trouble-free installation. Every Envirobrite® fixture is designed to meet UL 1570 specifications for safety. Our aluminum fixture body's riveted construction ensures added strength. Each Envirobrite® FID fixture maximizes 'capture efficiency' – the amount of lumens generated by the lamp that the reflector actually controls. Flexible ballast and lamp options provides the customer with multiple lumen options, 3500 and 4100 color temps and excellent color rendering at 80 CRI.

Primary Features & Benefits

- Proudly Designed, Made and Assembled in the USA
- UL Listed
- Utility rebate friendly throughout the U.S.
- Enhanced Fixture Efficiencies
- Riveted construction for added durability
- Measures about 16" x 12"
- Optional motion / occupancy sensing and photo-cell technology for further savings
- -40 degrees F start up temperature
- Significant reduction in energy and maintenance costs
- Qualifies for maximum \$.60 square foot EPACT tax deduction
- Multi-facet optical design for maximum performance
- Universal Voltage 120-277
- Molded acrylic prismatic lens for long life in high temperatures
- Aluminum components generate a rust-free approach to less maintenance and lasting appeal

Quick, Safe and Labor Efficient Installation

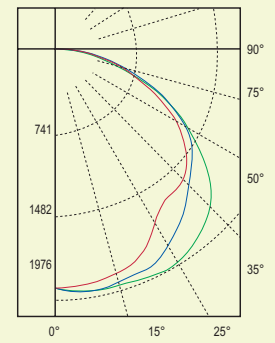
- Toolless ballast access
- Pendant, surface, junction box or hook and cord mounting options
- Streamlined packaging for easy job site material management
- 100% aluminum for a lightweight, safe and easy installation

Adding an Envirobrite® approved motion sensor system to your lighting upgrade project will further enhance energy savings and create an even faster payback.



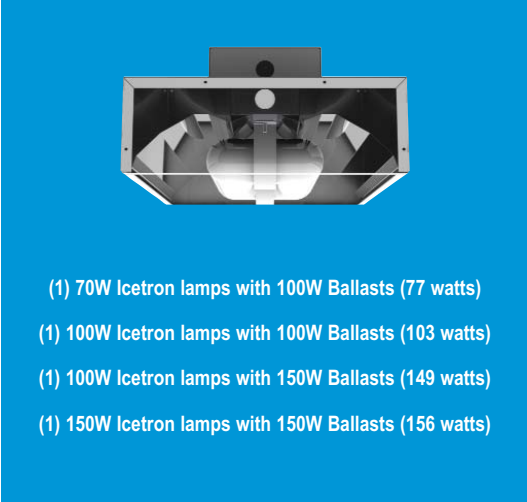
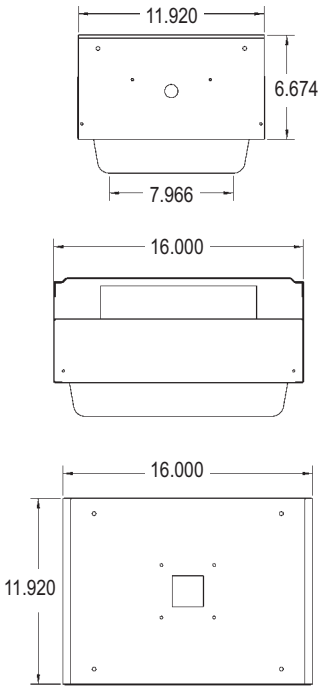
highfive





Fixture Dimensions

Wattage



0° — Candela Plot
45° — FID
90° —

Zonal Lumen Summary

Zone	Lumens	% Lamp	Fixture
0-30	1729	21.6	27.4
0-40	2809	35.1	44.5
0-60	4950	61.9	78.4
0-90	6315	78.9	100.0

Total Luminaire Optical Efficiency = **78.9%**
*specs taken using 93% micro matte reflector

Luminaire Spacing Criterion
0 deg - **1.4** 90 deg - **1.1**
Call factory for full photometric report

Material Choice

- 95% Enhanced Aluminum

Ordering Information

Sample number: **FID11011150ENVMVD06A0NL12PRANG1**

FIXTURE

TYPE	DIMENSION	LAMPS	LAMPS WATTAGE	REFLECTOR	VOLTAGE
<input type="radio"/> FID=FID High Bay	<input type="radio"/> 11=16x12	<input type="radio"/> 01=1 Lamp	<input type="radio"/> I070=70w <input type="radio"/> I100=100w <input type="radio"/> I150=150w	<input type="radio"/> EN=95% MIRO 4 Enhanced	<input type="radio"/> VMVT=120/277

BALLAST CONFIGURATION	NO. OF BALLASTS	NO. OF LAMPS	BALLAST FACTOR	LENS		
<input type="radio"/> L=Single	<input type="radio"/> 1=1 Lamp Ballast	<input type="radio"/> 1=1 Lamp	<input type="radio"/> H=High	THICKNESS	APPEARANCE	LENS TYPE
				<input type="radio"/> L12=.125 <input type="radio"/> L20=.200	<input type="radio"/> PR=Prismatic	<input type="radio"/> A=Acrylic

MOUNTING	CORD			
	CORD	ATTACHED/UN	SPECIALTY	PLUG
<input type="radio"/> NG1=Ceiling Mounting Bracket .125	<input type="radio"/> D06=6' Cord <input type="radio"/> D10=10' Cord	<input type="radio"/> A=Attached Top	<input type="radio"/> 0=None <input type="radio"/> 1=Cold	<input type="radio"/> N=No Plug <input type="radio"/> T=Twist Lock Plug <input type="radio"/> P=Standard Plug