

FME – FULL BODY ALUMINUM HIGHBAY T5/T8

Description

FME – Fixture Midrange Enclosed - A full body fluorescent highbay ideal for replacing energy guzzling HID fixtures. This all aluminum enclosed highbay is suitable for most general use applications.

Consider using T5 lamps. They're ideal for commercial & industrial lighting.

- T5 lamps are lighting control ready
- up to 60k hour lamp life
- superior lumens per watt - instant-on
- 50% or better lamp life
- CRI's over 80%
- 50% or better energy savings
- less than 5% reduction in light output over the lifetime of the lamp
- shorter lamps
- more sustainable

Design Features

- ARRA compliant
- Exceptional fixture efficiencies
- 2'x4' aluminum body weighing less than 10 lbs. makes for a less cumbersome installation
- Easily maintained with swing down reflector/lamp bracket hinge system
- UL listed
- Utility rebate friendly throughout the US
- Best value American Made highbay on the market

Options

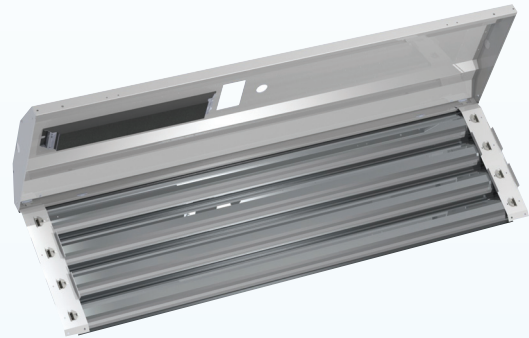
- 11 gauge white wire cage
- Acrylic or polycarbonate lens in an easy maintenance swing door lens frame or hingeless door frame
- 10' cord
- Highbay sensor ready – snaps in and ready in less than 1 minute
- Pre-installed lamps for even faster installation
- Multi-faceted - micro matte reflectors smudge & finger print resistant has no plastic masking

LIMITED PRODUCT WARRANTY

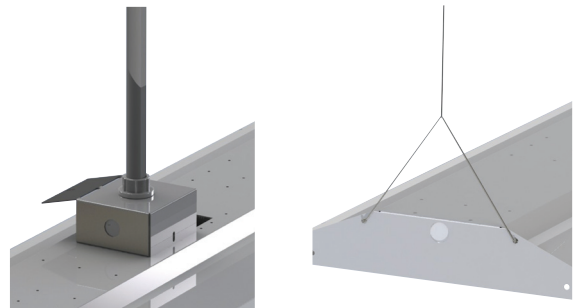
Energy Planning Associates warrants for a period of 5 years from the date of purchase that all Envirobrite® fixtures will be free of defects from manufacturing and workmanship. This warranty excludes damage of any kind resulting from improper installation, misuse, abuse, accidents, or natural disasters. Energy Planning will repair, or at its option, replace the defective product and only when the product is properly handled, installed, and maintained.



Hinge Socket bar system

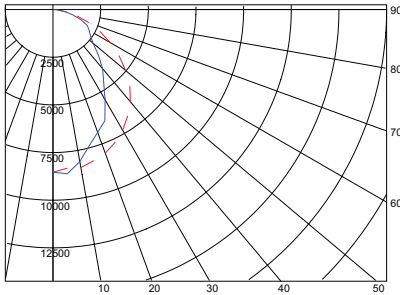


Mounting Options



highfive



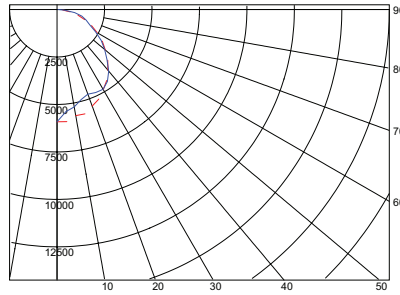


— 0 Deg
— 90 Deg

ZONAL LUMEN SUMMARY

Zone	Lumens	% Lamp	% Luminaire
0 - 30	6159	30.8	32.6
0 - 40	9628	48.1	50.9
0 - 60	15485	77.4	81.9
0 - 90	18904	94.5	100.0

FME2404T554ENVMVT14H used for test
 Total Luminaire Optical Efficiency = 94.5%
Luminaire Spacing Criterion
 0 deg - 1.27 | 90 deg - 1.02
 Call factory for full photometric report

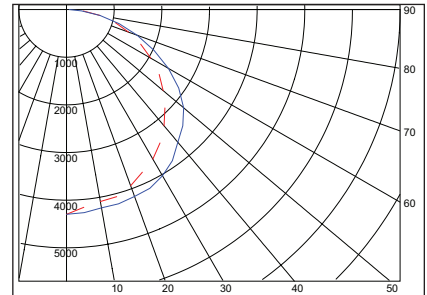


— 0 Deg
— 90 Deg

ZONAL LUMEN SUMMARY

Zone	Lumens	% Lamp	% Luminaire
0 - 30	4174	24.0	26.0
0 - 40	6935	39.9	43.3
0 - 60	12394	71.2	77.3
0 - 90	16024	92.1	100.0

FME2406T832ENVMVT23H used for test
 Total Luminaire Optical Efficiency = 92.1%
Luminaire Spacing Criterion
 0 deg - 1.23 | 90 deg - 1.23
 Call factory for full photometric report



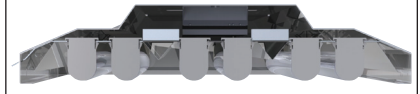
— 0 Deg
— 90 Deg

ZONAL LUMEN SUMMARY

Zone	Lumens	% Lamp	% Luminaire
0 - 30	3406	19.6	24.1
0 - 40	5713	32.8	40.4
0 - 60	10616	61.0	75.1
0 - 90	14139	81.3	100.0

FME2406T832WEVMVT23H used for test
 Total Luminaire Optical Efficiency = 81.3%
Luminaire Spacing Criterion
 0 deg - 1.26 | 90 deg - 1.39
 Call factory for full photometric report

Economy 6 Lamp T8



Ordering Information

Sample number: FME2404T554ENVMVT14H

Indicates most widely used fixture

FME	24	04	T554	EN	VMVT	L14H	
Fixture	DIMENSION	LAMPS	LAMP TYPE	REFLECTOR	Voltage	T5 Ballast Configurations	T8 Ballast Configurations
<input checked="" type="radio"/> FME	<input checked="" type="radio"/> 24 = 2x4 <input type="radio"/> 14 = 1x4	<input type="radio"/> 03 = 3 Lamp <input type="radio"/> 04 = 4 Lamp <input type="radio"/> 06 = 6 Lamp <input type="radio"/> 06 = 6 Lamp Economy T8	<input type="radio"/> T832 = 32 watt <input type="radio"/> T554 = 54 watt	<input type="radio"/> EN = 95% Miro4 Enhanced <input type="radio"/> WN = 92% White <input type="radio"/> WE = 92% White (Economy T8)	<input type="radio"/> VMVT = 120/277 <input type="radio"/> VHVT = 347/480	<input type="radio"/> L14H = (1) 4 lamp T5 Ballast <input type="radio"/> L22H = (2) 2 lamp T5 Ballast <input type="radio"/> M14H12H = (1) 4 lamp T5 & (1) 2 lamp T5 Ballast	<input type="radio"/> L14H = (1) 4 lamp T8 HBF Ballast <input type="radio"/> L22H = (2) 2 lamp T8 HBF Ballast <input type="radio"/> L23H = (2) 3 lamp T8 HBF Ballast <input type="radio"/> M14H12H = (1) 4 lamp T8 HBF & (1) 2 lamp T8 HBF Ballast *Program Start HBFT8 Ballast Available

OPTIONS

L10CSA	NF1	D10U1N	W1P	CMLA1CQSA
LENS	Mounting	Cord	Wire Cage	Motion Sensor
<input type="radio"/> L10CSA = .100 Clear smooth acrylic <input type="radio"/> L10CSP = .100 clear smooth polycarbonate <input type="radio"/> L10CNA = .100 Acrylic clear lens - Slide out <input type="radio"/> L10CNP = .100 Polycarbonate clear lens - Slide out *T5 and 6L T8 fixture only.	<input type="radio"/> NF1 = Pendant Mount Kit <input type="radio"/> NF2 = Pendant Mount Kit (no hub) <input type="radio"/> NF9 = Mounting Hook <input type="radio"/> NG8 = 10ft Y-cable Mounting <input type="radio"/> NG8 = 10ft Y-cable Mounting	<input type="radio"/> D10A1N = 10' attached, no plug <input type="radio"/> D10A1P = 10' attached, with plug <input type="radio"/> D10A1T = 10' attached, with twist lock plug <input type="radio"/> D10U1N = 10' unattached, no plug <input type="radio"/> D10U1P = 10' unattached, with plug <input type="radio"/> D10U1T = 10' unattached, with twist lock plug	<input type="radio"/> W1P = 11 Gauge white wire cage	<input type="radio"/> CMLA1CQSA = Leviton snap in multi-lens all lamp control <input type="radio"/> CMLA1CQIO = Leviton snap in multi-lens inboard/outboard lamp control <input type="radio"/> CMSA1HQIO = Sensor Switch snap in inboard/outboard <input type="radio"/> CMSA1HQSA = Sensor Switch snap in all lamp control

* Contact the factory for additional adders available including lamps and ballast combination.