

FO5 T8 FULL BODY HIGH BAY

MULTI LAMP T8 FIXTURE

Description

Fluorescent High-Bay systems have become the number one cost effective option for replacing the aging technology of metal halide, mercury vapor and high-pressure sodium HID lamps. Aluminum body fixtures have long been a favored material for their thermal properties and ability to illuminate and operate efficiently in high temperature environments.

Application

For more than ten years companies have moved toward a green alternative for lighting indoor spaces with high ceilings (ex. warehouses, factories, aircraft hangers, and gyms, etc.). Significant advancement in fluorescent lamps, ballasts and fixture efficiencies and the addition of rebates have made fluorescent lighting the most cost effective choice for any application.

Design

Envirobrite® aluminum reflectors and full body FO5 fixtures are designed by our expert in-house lighting engineers for ideal photometry and trouble-free installation. Every Envirobrite® fixture is designed to meet UL 1570 specifications. Our aluminum fixture bodies are manufactured for optional wire cages or lens attachments. Knockouts are located on both ends for continuous wiring. Pre-painted baked on enamel add to the durability of each fixture. Each Envirobrite® FO5 fixture maximizes 'capture efficiency' – the amount of lumens generated by the lamp that the reflector actually controls. We manufacture all fixture bodies around the reflector, allowing form to follow function and provide variable spacing criteria options from .5 through 2.0 to meet any application.

Features and Benefits

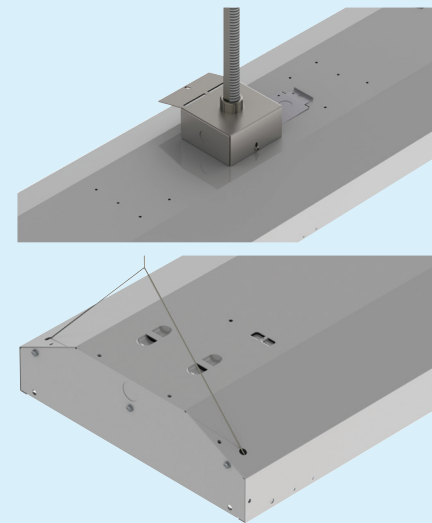
- Proudly Designed, Made and Assembled in the USA
- Utility rebate friendly throughout the U.S.
- Two fixture dimension options measuring about 1x4 and 2x4
- Riveted construction for added durability
- Programmed-start high power ballast choice - dimmable ballast option
- Multi-facet optical reflector design for maximum performance
- Qualifies for EPACT tax deduction
- Aluminum components generate a rust-free approach to less maintenance and lasting appeal
- Focus, narrow, task, regular, and spread photometric distribution
- Significantly improved lumen maintenance offering lamp quantities from 2 to 8 (1000w replacements) – tandem fixture options available up to 16 lamps
- Individual, continuous row or side by side mounting options – tandem wiring
- UL Listed
- Universal Voltage 120-277 / 347-480 capable

LIMITED PRODUCT WARRANTY

Energy Planning Associates warrants for a period of 5 years from the date of purchase that all Envirobrite® fixtures will be free of defects from manufacturing and workmanship. This warranty excludes damage of any kind resulting from improper installation, misuse, abuse, accidents, or natural disasters. Energy Planning will repair, or at its option, replace the defective product and only when the product is properly handled, installed, and maintained.

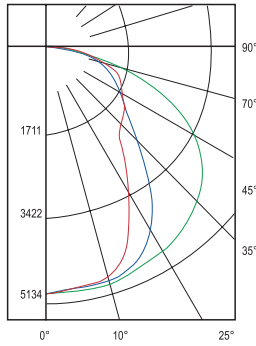


Mounting Options



Quick, Safe and Labor Efficient Installation

- Toolless ballast access for all fixtures (except 3 lamp body)
- Snap-in locking lampholders
- Streamlined packaging for easy job site material management
- 100% aluminum for a lightweight, safe and easy installation



0° — Candela Plot
45° — Candela Plot
90° — Candela Plot

ZONAL LUMEN SUMMARY

Zone	Lumens	% Lamp	% Luminaire
0 - 30	3557	30.7	34.0
0 - 40	5313	45.8	50.8
0 - 60	8380	72.2	80.1
0 - 90	10458	90.2	100.0

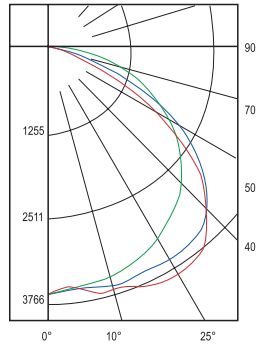
FO52404T832ENONB used for test

Total Luminaire Optical Efficiency = 90.2%

Luminaire Spacing Criterion

0 deg - 1.24 | 90 deg - 0.84

Call factory for full photometric report



0° — Candela Plot
45° — Candela Plot
90° — Candela Plot

ZONAL LUMEN SUMMARY

Zone	Lumens	% Lamp	% Luminaire
0 - 30	2989	25.8	29.2
0 - 40	5021	43.3	49.0
0 - 60	8861	76.4	86.4
0 - 90	10252	88.1	100.0

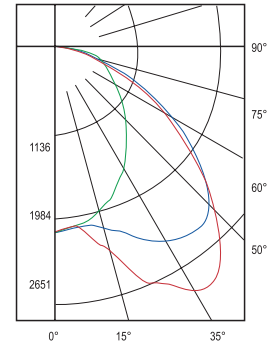
FO52404T832ENORB used for test

Total Luminaire Optical Efficiency = 88.4%

Luminaire Spacing Criterion

0 deg - 1.24 | 90 deg - 1.44

Call factory for full photometric report



0° — Candela Plot
45° — Candela Plot
90° — Candela Plot

ZONAL LUMEN SUMMARY

Zone	Lumens	% Lamp	% Luminaire
0 - 30	1869	16.1	18.8
0 - 40	3454	29.8	34.8
0 - 60	7381	63.6	74.3
0 - 90	9935	85.6	100.0

FO52404T832ENOWB used for test

Total Luminaire Optical Efficiency = 85%

Luminaire Spacing Criterion

0 deg - 1.25 | 90 deg - 2.09

Call factory for full photometric report

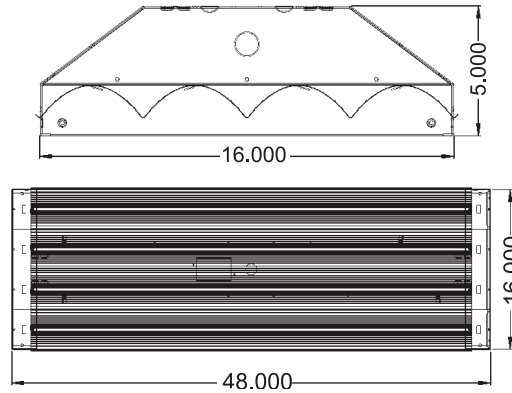
Wire Cage



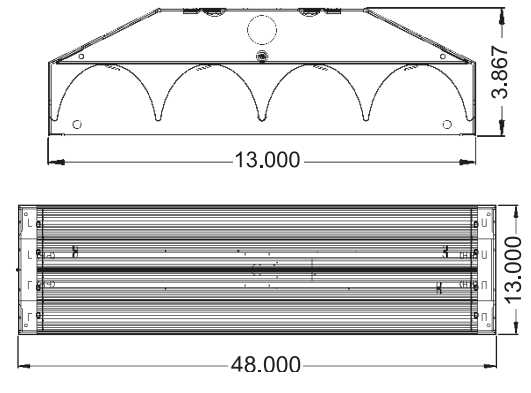
Swing Door Lens



NARROW DISTRIBUTION DIMENSIONS



WIDE DISTRIBUTION DIMENSIONS



Ordering Information

Sample number: FO52404T832ENORBVMVTL14H

Indicates most widely used fixture

FO5	24	04	T832	EN	ORB	VMVT	L14H
Type	Dimension	Lamps	Lamp Type	Reflector	Fixture Optics	Voltage	Ballast configurations
● F05 = Full Body High Bay	● 14 = 1 x 4 24 = 2 x 4	● 02 = 2 lamps ● 03 = 3 lamps ● 04 = 4 lamps ● 05 = 5 lamps ● 06 = 6 lamps ● 08 = 8 lamps	● T832 = 32W	● WN = 92% White ● EN = 95% Enhanced	● ONB = Narrow Beam ● ORB = Regular Beam ● OWB = Wide Beam	● VMVT = 120/277 ● VHVT = 347/480	● L14H = (1) 4 lamp HBF Ballast ● L22H = (2) 2 lamp HBF Ballast ● L23H = (2) 3 lamp HBF Ballast ● L24H = (2) 4 lamp HBF Ballast ● M12H13H = (2) 2 lamp & (1) 3 lamp Ballast ● M14H11H = (1) 4 lamp & (1) 1 lamp Ballast

*Contact factory for additional options including: mounting options, cord, wire cage, lens, emergency ballast, and motion sensor

*Program Start HBF T8 Ballast Available

*For added efficiency include high quality T8 lamps. Adding an Envirobrite® approved motion sensor system to your lighting upgrade project will further enhance energy savings and create an even faster payback.