

RTRTROFFER REFLECTOR KIT 2x4 Troffer Fixture Retrofit Kit

Description

Envirobrite's® RTR Troffer Reflector kits dramatically enhance existing fixture efficiencies creating substantial energy savings with excellent return on investment. All Envirobrite® kits have four different specialized material options which offer various light distributions with minimal up-front investments. These kits, in conjunction with numerous ballast and lamp configurations, can easily produce ideal IES recommended light levels with minimized energy consumption. Envirobrite® kits will continue to provide consistent fixture performance and repeat annual energy savings for up to 25 years.

Application

Since 1994, millions of 2x4 lensed troffer lights and 18 cell parabolic louvers have been successfully de-lamped with Envirobrite® troffer kits. These kits are recognized worldwide as the industry leading retrofit kit for the majority of all commercial 2x4 fixtures. It's ideal optics, universal fit configuration and flexible stamped bracketing system allows proper fit in office spaces, classrooms, hospitals, and many other commercial locations.

Design

Envirobrite kits are designed by our expert in house lighting engineers for ideal photometry and trouble-free installation. Every Envirobrite® kit is designed to meet UL 1598B specifications. Integral to ideal kit functionality is the combination of our bracketing system which centers the lamps specifically to the optics of the reflector design. Envirobrite® reflectors are fabricated with Energy Planning Associates custom-made multi-stage progressive roll forming machinery. Our unique high speed equipment consistently produces multi-faceted linear fluorescent reflectors within precise quality tolerance. Our process enables us to add additional facets for superior reflector performance significantly reducing production cost and improving lead times. Our rigid, light weight bracketing systems are produced with custom designed stamping dies and are very easy to install. As with all Envirobrite® products Cost-A-Mized solutions are available to meet every customer's needs.

Primary Features & Benefits

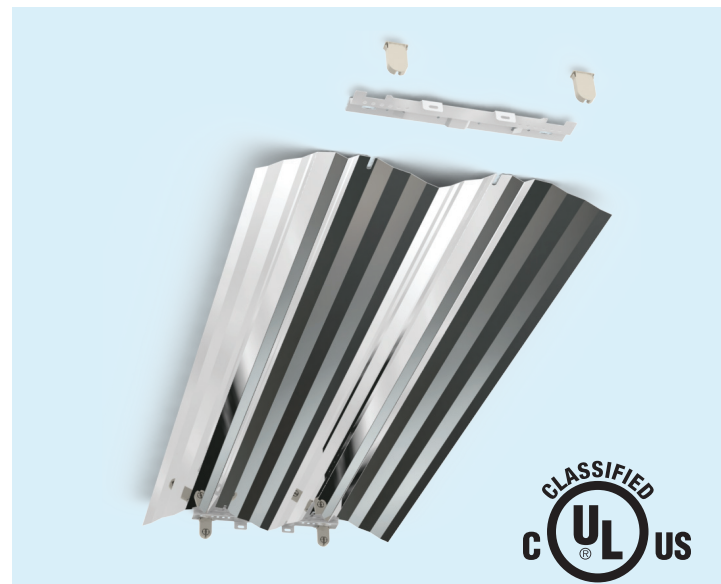
- Proudly Designed, Made, and Assembled in the USA
- Utility rebate friendly throughout the U.S.
- Qualifies for EPACT tax deduction
- Multi-facet optical design for maximum performance
- Significant reduction in maintenance costs
- Superior lighting directly to the work plane
- Aluminum components generate a rust-free approach to less maintenance and lasting appeal
- Flexibility for tandem wiring applications
- Reinforced multi function universal bracketing system

LIMITED PRODUCT WARRANTY

Energy Planning Associates warrants for a period of 5 years from the date of purchase that all Envirobrite® fixtures will be free of defects from manufacturing and workmanship. This warranty excludes damage of any kind resulting from improper installation, misuse, abuse, accidents, or natural disasters. Energy Planning will repair, or at its option, replace the defective product and only when the product is properly handled, installed, and maintained.



riteFIT

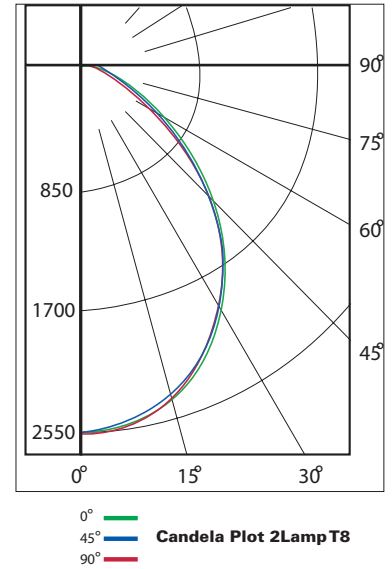
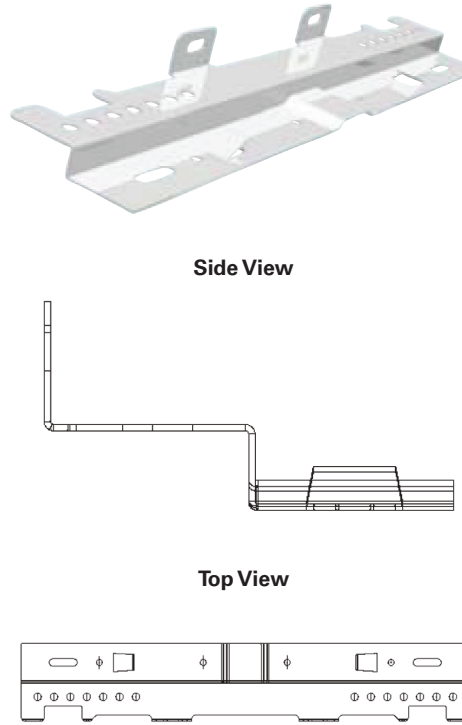
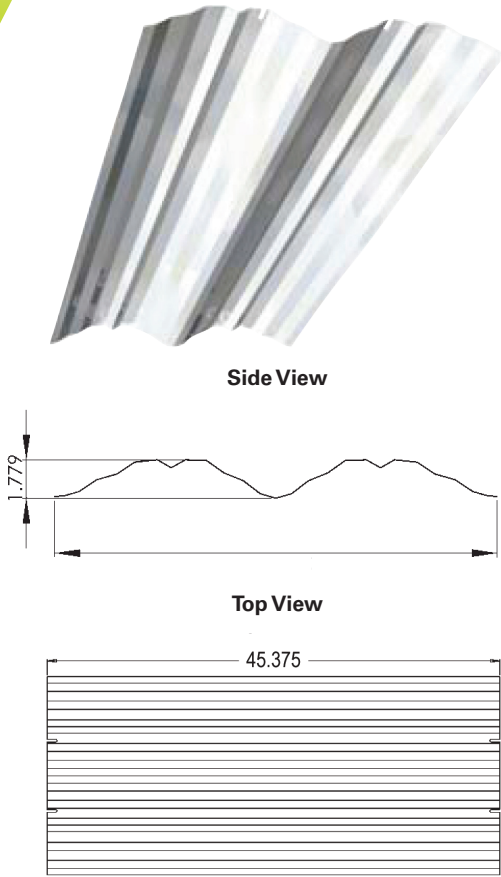


Quick, Safe, and Labor Efficient Installation

- Variable tek screw slot locations for multiple mounting options
- 25 facet reflectors for added rigidity and a sturdy fit
- Unique bracket design UL approved for no wire guard requirement
- Less than 2" reflector depth to fit shallow fixtures
- Lance and form bracket design for easy pinch in reflector installation
- Toolless ballast access for simple maintenance
- Snap-in lamp holders won't fall out during overhead installation
- Rounded-edged brackets to avoid injury during installation
- Streamlined packaging for easy job site material management
- 9-3/4" lamp spacing enhances appearance of 18-cell parabolic retrofits
- Slots, instead of holes, provided for easy end to end bracket to bracket centering
- With 1/3 the weight of steel aluminum components permit reduced shipping cost and simpler installation

2x4 Kit includes

- (1) 2400 series aluminum reflector made from your choice of specified material (95%) Enhanced Miro4, 93% Micro Matte, or 92% White
- (2) 2000 series white-painted stamped aluminum brackets
- (2, 4 or 6) specified shunted or unshunted high quality chemical resistant thermoplastic body UL approved lamp holders
- (2) Quarter turns
- (5) tek screws



ZONAL LUMEN SUMMARY			
Zone	Lumens	% Lamp	% Luminaire
0 - 30	1895	31.1	35.5
0 - 40	2987	49.0	55.7
0 - 60	4630	75.9	86.3
0 - 90	5364	87.9	100.0

RTR2402T832ENLSS used for test
 Total Luminaire Optical Efficiency = 87.9%
Luminaire Spacing Criterion
 0 deg - 1.2 | 90 deg - 1.1
 Call factory for full photometric report

Ordering Information

Sample number: **RTR2402T832ENLSS**

Indicates most widely used kit

RTR	24	02	T832	EN	LSS
FIXTURE	DIMENSION	LAMP	LAMP TYPE	REFLECTOR	LAMP HOLDER TYPE
● RTR= Troffer Reflector Kit	● 24 = 2x4	● 02 = 2 Lamp	● T832 = 32 watt	● EN = 95% Miro4 Enhanced	● LSS = Short Shunted Twist-Lock
		● 03 = 3 Lamp	● T554 = 54 watt	● MN=93% Micro Matte	● LUS = Short Unshunted Twist Lock
		● 04 = 4 Lamp		● WN=92% White Aluminum	● LUP = Unshunted T5 Plunger

* Contact the factory for additional adders available including lamps and ballast combination.

For added efficiency include high quality T5 or T8 lamps with either instant or programmed start ballasts. Adding an Envirobrite® approved motion sensor system to your retrofit project will further enhance energy savings and create an even faster payback.