

LB WRAP COVER KIT 4' WRAP COVER KIT

Description

Envirobrite's® LB Wrap are used to convert 4' and 8' T12 and older T8 wrap fixtures resulting in substantial energy savings, improved lighting with excellent returns on investments. This kit can easily produce ideal IES recommended light levels with minimized energy consumption. Envirobrite® kits will continue to provide consistent fixture performance and repeat annual energy savings for many years to come.

Application

Since 1994, Envirobrite® has converted millions of troffer, channel and wrap fixtures. The LB kit is another retrofit opportunity specific to the LB Wrap fixture type. These kits have been recognized worldwide as the industry leading retrofit kit for the majority of all industrial, commercial and retail facilities. Wrap fixtures are typically used in schools, hospitals, government and other commercial applications.

Design

Envirobrite® LB Wrap cover kits are designed by our expert in house lighting engineers for trouble-free installation. Every Envirobrite® kit is designed to meet UL 1598B specifications. Envirobrite kits are fabricated with numerous manufacturing methods. The LB Wrap retrofit kit was designed and manufactured using our precision based machinery to ensure maximized efficiency. This kit was designed to ensure fewer steps are used when installing the kit. Unique ballast placement allows for easier access and maintenance throughout the life of the fixture. As with all Envirobrite® products our Cost-A-Mized program is an ideal solution for modification from our standard line and ensures an ideal fit

Primary Features & Benefits

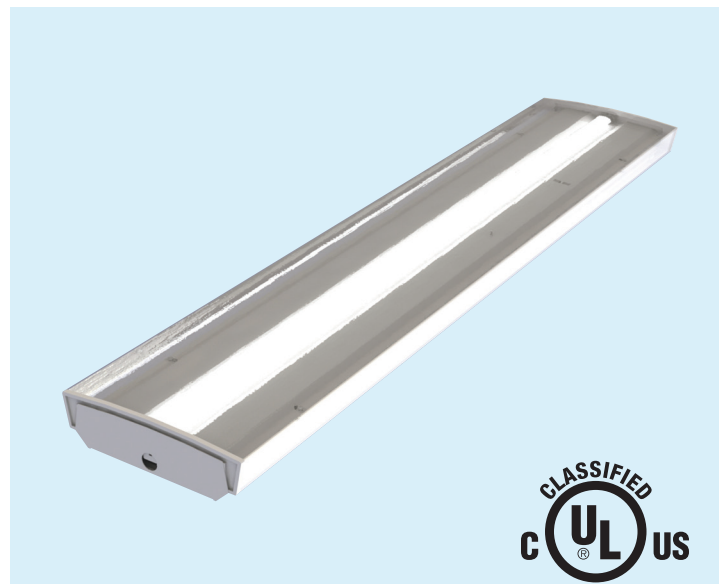
- Proudly Designed, Made, and Assembled in the USA
- Utility rebate friendly throughout the U.S.
- Prewire option available
- Considerable reduction in energy costs
- Significant reduction in maintenance costs
- Original lens can be used
- Aluminum components generate a rust-free approach to less maintenance and lasting appeal

LIMITED PRODUCT WARRANTY

Energy Planning Associates warrants for a period of 5 years from the date of purchase that all Envirobrite® fixtures will be free of defects from manufacturing and workmanship. This warranty excludes damage of any kind resulting from improper installation, misuse, abuse, accidents, or natural disasters. Energy Planning will repair, or at its option, replace the defective product and only when the product is properly handled, installed, and maintained.



riteFIT

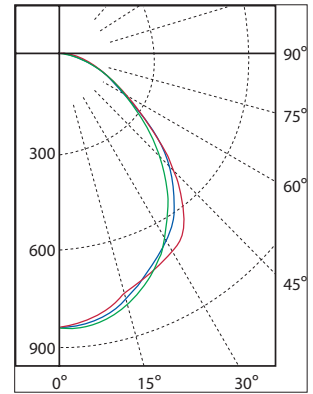
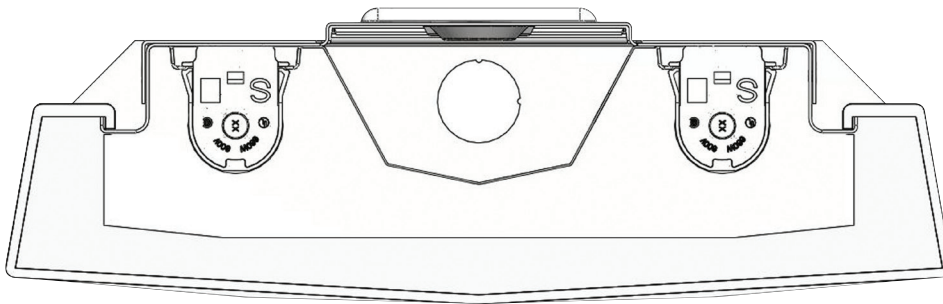
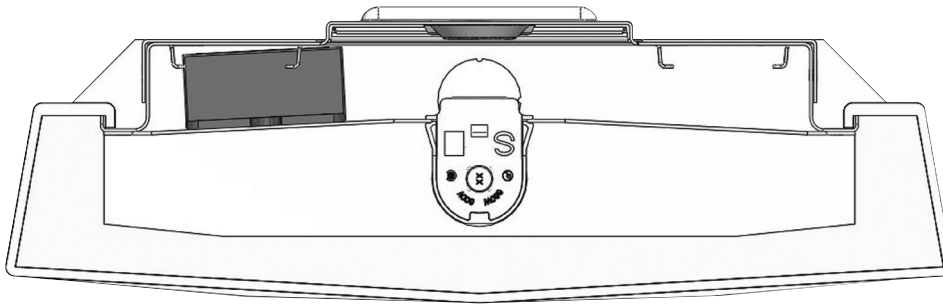


Quick, Safe, and Labor Efficient Installation

- Snap-in lamp holders won't fall out during overhead installation
- Streamlined packaging for easy job site material management
- With 1/3 the weight of steel aluminum components permit

1x4 Kit includes

- (1) White painted aluminum ballast cover
- (2) White-painted aluminum bracket
- (2) specified shunted or unshunted high quality chemical
- Resistant thermoplastic body UL approved lamp holders
- (1) Quarter turns
- (4) tek screws
- T8 High efficiency low power ballast



45° — Candela Plot 1 Lamp T8
90° —

ZONAL LUMEN SUMMARY

Zone	Lumens	% Lamp	% Luminaire
0 - 30	523.3	18.7	26.2
0 - 40	866.3	30.9	43.3
0 - 60	1458.0	52.1	72.9
0 - 90	1764.6	63.0	88.2

RLB1401T832WALSV used for test
 Total Luminaire Optical Efficiency = 71.5%
Luminaire Spacing Criterion
 0 deg - 1.23 | 90 deg - 1.39
 Call factory for full photometric report

Ordering Information

Sample number: **RLB1401T832WALSV**

Indicates most widely used kit

RLB	14	01	T832	WA	LSV
FIXTURE	DIMENSION	LAMP	LAMPTYPE	REFLECTOR	LAMPHOLDERTYPE
● RLB=Wrap Kit	● 14 = 1x4	● 01 = 1 Lamp	● T832 = 32 watt	● WA=92% White Aluminum	● LSV = Extra short shunted ● LUV = Extra short unshunted

* Contact the factory for additional adders available including lamps and ballast combination.

For added efficiency include high quality T8 lamps with either instant or programmed start ballasts. Adding an Envirobrite® approved motion sensor system to your retrofit project will further enhance energy savings and create an even faster payback.