

FME / LED Highbay

The LED highbay is ideal for replacing energy devouring HID and fluorescent fixtures. This all aluminum enclosed high bay is suitable for most general use applications.



Project Name: _____ Type: _____

Catalog Number: _____ Date: _____

SPECIFICATIONS

Features

- Many lumen packages are available to choose from
- CCT options available
- "Traditional" fluorescent highbay footprint
- UL damp compliant

Construction

- White gloss painted aluminum enclosure
- Rust free
- Light weight
- Installer friendly
- Exterior mounted power supplies for thermal management

Electrical

- 120-277 VAC universal voltage standard
- 347/480 VAC available through step down (UL compliant)
- Emergency battery backup available (US only)
- Power Factor > .9 & THD < 20% @277 VAC on DLC listed models
- 0-10V dimming standard
- Name brand drivers
- Ambient Operating Range: -20°C to 55°C (-4°F to 130°F)
- TM-21 Reported Lumen Maintenance (L70) of >60k hrs, and Projected Lumen Maintenance of 125k hrs

Optics

- Name brand LED arrays
- High efficiency LEDs
- CRI > 80 on DLC listed models; high color rendering
- White LED panel has 91% reflectance
- Optional frosted lens available to reduce LED glare
- Aisle optics are DLC compliant (but not listed)

Warranty

- 5-year limited warranty
- Project specific warranty terms available

Options

Consult with your sales representative for additional options

CERTIFICATIONS



ORDERING INFORMATION

ADDITIONAL OPTIONS:

TYPE	LUMEN PACKAGE	CCT	VOLTAGE	LENS	OPTICS	CORD	BACKUP	SENSOR	MOUNTING OPTIONS	WIRE CAGE	PACKAGING	GEN
FME	10 10,000L	35 3,500K	Blank 120v/277v	L Lens Affixed to Fixture	Blank Standard Optic (1.25 SC)	C*	E Backup Emergency Driver	S*	M*	W 11ga Painted White	DP Distriutor Pack	04
	12 12,000L	40 4,000K	H 480V		TB Aisle Optic (0.94 SC)						CP Contractor Pack	
	15 15,000L	50 5,000K										
	20 20,000L											
	25 25,000L											
FME	30 30,000L			*Specify lens using codes on pg 2		* Specify cord on plug using codes on pg 2		*Specify using codes on pg 2		*Specify mounting using codes on pg 2		-04

Example Ordering Number: FME2040-LC(6N)ES(SS16)M(23)WDP-04

Contact your sales rep for options specifics.

FME / LED Highbay

ADDITIONAL OPTIONS

Lens Options:

CODE	FEATURES
FFA	Fixed, frosted acrylic
FCA	Fixed, clear acrylic
FFP	Fixed, frosted polycarbonate
FCP	Fixed, clear polycarbonate

Cord Options:

CODE	FEATURES
6N	6ft cord - no plug
6S	6ft cord - standard 3-prong plug (NEMA 5-15P)
6T	6ft cord - twist lock plug (NEMA L7-15P or NEMA L8-20P)
10N	10ft cord - no plug
10S	10ft cord - standard 3-prong plug (NEMA 5-15P)
10T	10ft cord - twist lock plug (NEMA L7-15P or NEMA L8-20P)

Sensor Options:

CODE	FEATURES
SS16	Sensor Switch LSXR610 - 360° Highbay & lowbay lenses -on/off control
SS15	Sensor Switch LSXR652 - 360° Highbay & aisle lenses - on/off control
SS28	Sensor Switch LSXR610 HL - 360° Highbay & lowbay lenses - dimming with high/low occupancy
SS24	Sensor Switch LSXR360 HL - 360° Highbay & aisle lenses - dimming with high/low occupancy
SS22	Sensor Switch LSXR610 ANL - 360° Highbay & lowbay lenses - dimming & switching photocell with high/ low occupancy
SS23	Sensor Switch LSXR650 ANL - 360° Highbay & lowbay lenses - dimming & switching photocell with high/low occupancy

Mounting Options:

CODE	FEATURES
M23	Y-toggle Cable
M01	Pendent mounting kit

Certain options not compatible together. Contact your Sales Rep or logon to Kelvin for compatibility.

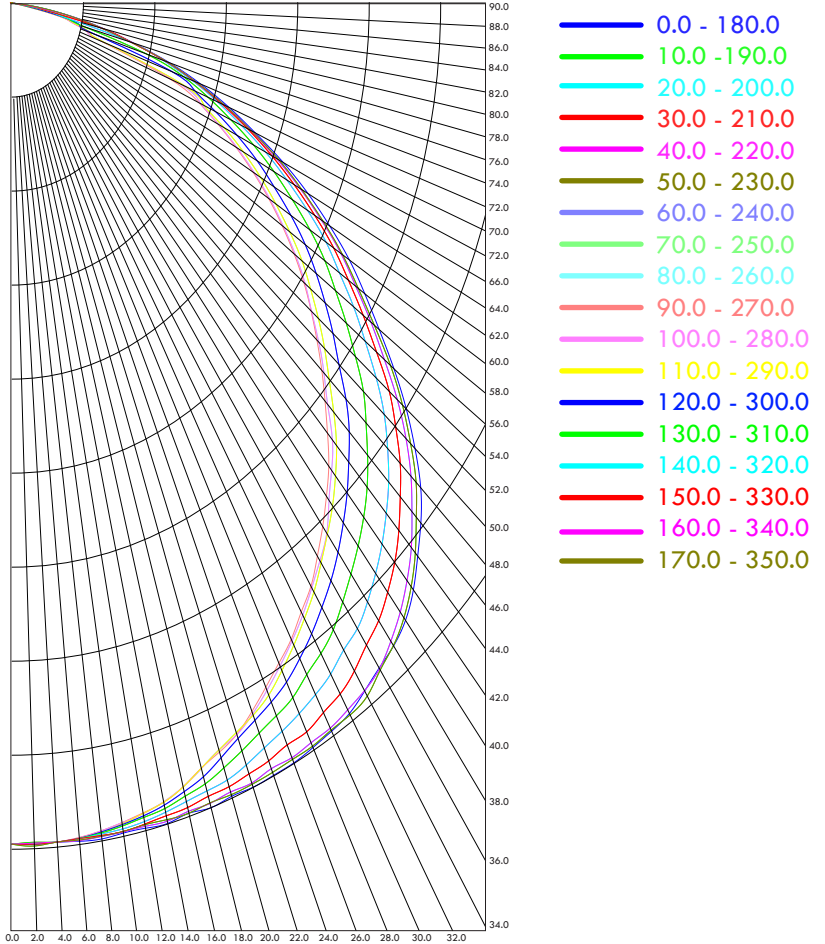
FME / LED Highbay

PHOTOMETRIC DATA

Zonal lumen summary

ZONE	LUMENS	% OF FIXTURE
0-30	3433	25.6
0-40	58.12	43.3
0-60	10781	80.3
0-90	13421	100.0
90-120	0	0.0
90-150	0	0.0
90-180	0	0.0
0-180	13421	100.0

Polar plot



Light Output (Lumens)	13421
Watts	90.9
Lumens per Watt (Efficacy)	147.65
Color Accuracy Color Rendering Index (CRI)	84
Light Color Correlated Color Temperature (CCT)	
5000 (Daylight)	
Warm White	Bright White
2700K	3000K
	4500K
	Daylight
	6500K

All results are according to IESNA LM-79-2008: *Approved Method for the Electrical and Photometric Testing of Solid-State Lighting*. The U.S. Department of Energy (DOE) verifies product test data and results.

Visit www.lightingfacts.com for the Label Reference Guide.

Registration Number: 61VT-RIF7LB (10/21/2016)

Model Number: FME1250-04

Type: Luminaire - Industrial

FME / LED Highbay

SCALED PERFORMANCE TABLE

Part #	Dimensions	Initial Light Output (lumens)	Input Power (W)	Luminaire Efficacy (lm/w)	CCT	DLCv4.1 (Tier)
FME1035-[blank,H,TB,C,E,S,M,W,DP,CP]-04	2x2	9797	75.4	129.93	3500	Premium
FME1035-L[blank,H,TB,C,E,S,M,W,DP,CP]-04	2x2	9188	75.1	122.27	3500	Standard
FME1040-[blank,H,TB,C,E,S,M,W,DP,CP]-04	2x2	10013	75.4	132.80	4000	Premium
FME1040-L[blank,H,TB,C,E,S,M,W,DP,CP]-04	2x2	9415	75.2	125.20	4000	Standard
FME1050-[blank,H,TB,C,E,S,M,W,DP,CP]-04	2x2	10444	75.4	138.43	5000	Premium
FME1050-L[blank,H,TB,C,E,S,M,W,DP,CP]-04	2x2	9869	75.2	131.25	5000	Premium
FME1235-[blank,H,TB,C,E,S,M,W,DP,CP]-04	2x4	12589	90.9	138.49	3500	Premium
FME1235-L[blank,H,TB,C,E,S,M,W,DP,CP]-04	2x4	11918	91.4	130.35	3500	Premium
FME1240-[blank,H,TB,C,E,S,M,W,DP,CP]-04	2x4	12866	90.9	141.55	4000	Premium
FME1240-L[blank,H,TB,C,E,S,M,W,DP,CP]-04	2x4	12196	91.9	132.71	4000	Premium
FME1250-[blank,H,TB,C,E,S,M,W,DP,CP]-04	2x4	13421	90.9	147.69	5000	Premium
FME1250-L[blank,H,TB,C,E,S,M,W,DP,CP]-04	2x4	12752	92.4	138.07	5000	Premium
FME1535-[blank,H,TB,C,E,S,M,W,DP,CP]-04	2x4	15368	117.1	131.24	3500	Premium
FME1535-L[blank,H,TB,C,E,S,M,W,DP,CP]-04	2x4	14220	116.9	121.62	3500	Standard
FME1540-[blank,H,TB,C,E,S,M,W,DP,CP]-04	2x4	15707	117.1	134.14	4000	Premium
FME1540-L[blank,H,TB,C,E,S,M,W,DP,CP]-04	2x4	14538	116.5	124.79	4000	Standard
FME1550-[blank,H,TB,C,E,S,M,W,DP,CP]-04	2x4	16384	117.1	139.93	5000	Premium
FME1550-L[blank,H,TB,C,E,S,M,W,DP,CP]-04	2x4	15173	116.2	130.59	5000	Premium
FME2035-[blank,H,TB,C,E,S,M,W,DP,CP]-04	2x4	19926	150.1	132.75	3500	Premium
FME2035-L[blank,H,TB,C,E,S,M,W,DP,CP]-04	2x4	18486	151.0	122.42	3500	Standard
FME2040-[blank,H,TB,C,E,S,M,W,DP,CP]-04	2x4	20366	150.1	135.68	4000	Premium
FME2040-L[blank,H,TB,C,E,S,M,W,DP,CP]-04	2x4	18894	151.0	125.13	4000	Standard
FME2050-[blank,H,TB,C,E,S,M,W,DP,CP]-04	2x4	21243	150.1	141.51	5000	Premium
FME2050-L[blank,H,TB,C,E,S,M,W,DP,CP]-04	2x4	19708	151.0	130.52	5000	Premium
FME2535-[blank,H,TB,C,E,S,M,W,DP,CP]-04	2x4	25340	184.9	137.04	3500	Premium
FME2535-L[blank,H,TB,C,E,S,M,W,DP,CP]-04	2x4	23411	183.6	127.51	3500	Premium
FME2540-[blank,H,TB,C,E,S,M,W,DP,CP]-04	2x4	25899	184.9	140.07	4000	Premium
FME2540-L[blank,H,TB,C,E,S,M,W,DP,CP]-04	2x4	23928	183.6	130.33	4000	Premium
FME2550-[blank,H,TB,C,E,S,M,W,DP,CP]-04	2x4	27014	184.9	146.14	5000	Premium
FME2550-L[blank,H,TB,C,E,S,M,W,DP,CP]-04	2x4	24959	183.6	135.94	5000	Premium
FME3035-[blank,H,TB,C,E,S,M,W,DP,CP]-04	2x4	29673	224.6	132.12	3500	Premium
FME3035-L[blank,H,TB,C,E,S,M,W,DP,CP]-04	2x4	27701	224.7	123.27	3500	Standard
FME3040-[blank,H,TB,C,E,S,M,W,DP,CP]-04	2x4	30328	224.6	135.03	4000	Premium
FME3040-L[blank,H,TB,C,E,S,M,W,DP,CP]-04	2x4	28198	225.2	125.21	4000	Standard
FME3050-[blank,H,TB,C,E,S,M,W,DP,CP]-04	2x4	31635	224.6	140.85	5000	Premium
FME3050-L[blank,H,TB,C,E,S,M,W,DP,CP]-04	2x4	29188	225.8	129.26	5000	Premium

FME / LED Highbay

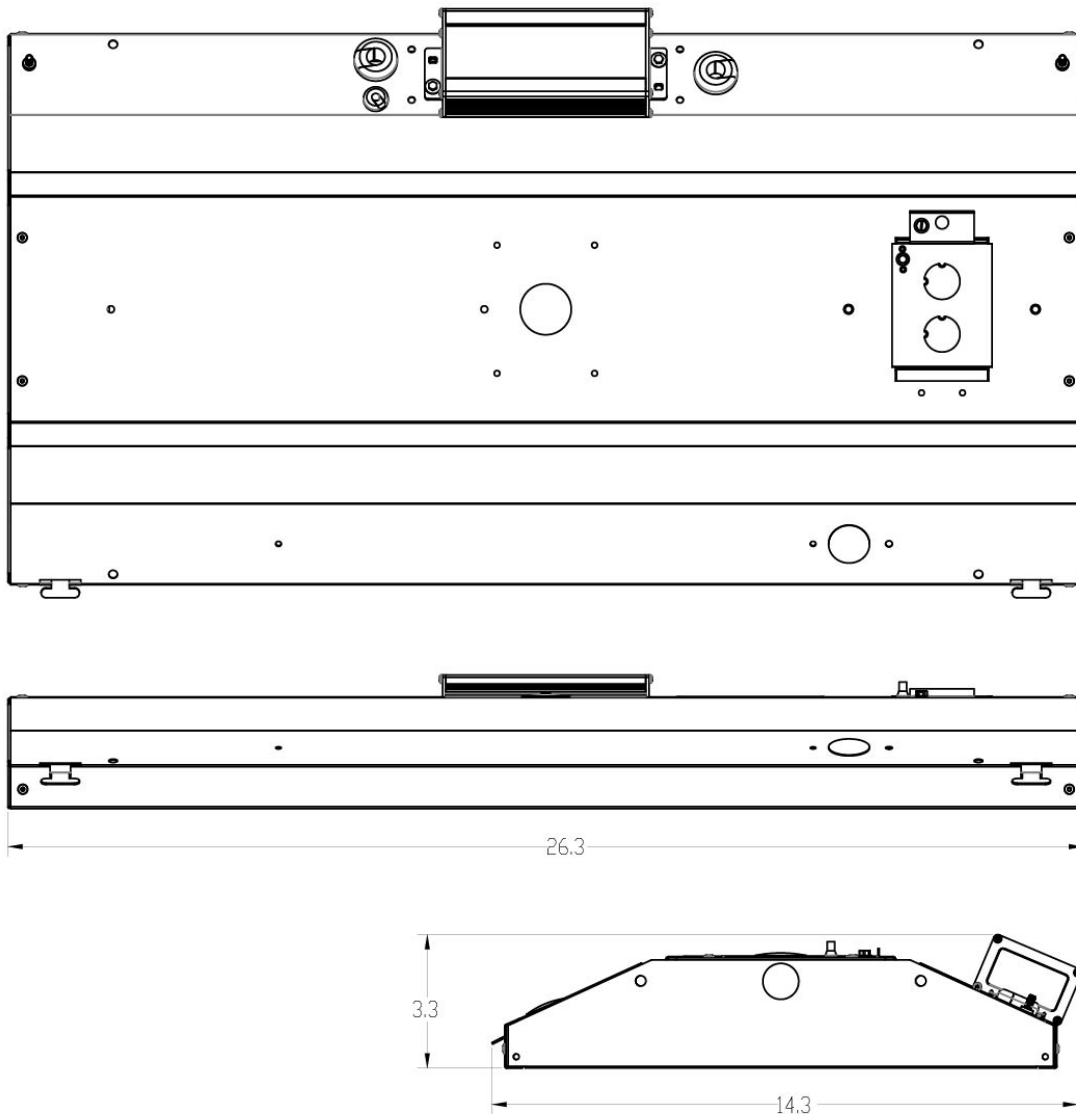
APPLICATION NOTES

Actual performance may vary by up to +/-10% of values listed.
See IES file for actual values.

See DLC QPL for listed models.

FIXTURE DIMENSIONS

Dimensions for 2x2 fixture



FME / LED Highbay

FIXTURE DIMENSIONS

Dimensions for 2x4 fixture

