

## FVT / LED Vapor Tight

The LED vapor tight fixtures are a preferred upgrade to replacing HID fixtures and existing vapor tight fixtures in varying climate conditions. This weatherproof fixture is suitable for use in parking garages, schools, cold storage, kitchens, and wet locations.



Project Name: \_\_\_\_\_ Type: \_\_\_\_\_

Catalog Number: \_\_\_\_\_ Date: \_\_\_\_\_

## SPECIFICATIONS

### Features

- Available in 4' and 8' lengths
- Many lumen packages are available to choose from
- CCT options available
- Mounting brackets included

### Construction

- Fiberglass gasketed enclosure
- Rust free
- Light weight
- Installer friendly

### Electrical

- 120-277 VAC universal voltage standard
- 480 VAC available through stepdown transformer (UL compliant)
- Power Factor > .9 & THD < 20% @277 VAC on DLC listed models
- Emergency battery backup available (US only)
- 0-10V dimming standard
- Name brand drivers
- Ambient Operating Range: -20°C to 55°C (-4°F to 130°F)
- TM-21 Reported Lumen Maintenance (L70) of >60k hrs, and Projected Lumen Maintenance of 400k hrs

### Optics

- Name brand LED arrays
- High efficiency LEDs
- CRI > 80 on DLC listed models; high color rendering
- Frosted lens hides LED pixelation

### Warranty

- 5-year limited warranty
- Project specific warranty terms available

### Options

Consult with your sales representative for additional options

## CERTIFICATIONS



## ORDERING INFORMATION

### ADDITIONAL OPTIONS:

TYPE	DIMENSIONS	LUMEN PACKAGE <sup>A</sup>	CCT	VOLTAGE	INPUT LINE	CORD	BACKUP	SENSOR	LATCH	GEN
FVT	4 1 x 4	22 2,250L	35 3,500K	Blank 120v/177v	SR Water Tight Coupler for cord	C*	E Backup Emergency Driver	S*	Blank Polycarb	02
		37 3,750L	40 4,000K		CH Conduit hub					
	40 4,000L	50 5,000K								
	80 8,000L									
		*See tables on 4-6 for available lumens				*Specify cord and plug using codes on pg 2	*Specify backup on pg 2	*Specify sensor using codes on pg 2		
FVT										-02

Example Ordering Number: FVT42235-SRC(6N)E(PS01)S(SS21)SS-02

<sup>A</sup>4ft: 2,250 to 4,250 in 250 lumen increments  
<sup>A</sup>8ft: 3,000 to 8,000 in 500 lumen increments

Contact your sales rep for options specifics.

## FVT / LED Vapor Tight

### ADDITIONAL OPTIONS

#### Cord Options:

CODE	FEATURES
6N	6ft cord - no plug
6S	6ft cord - standard 3-prong plug (NEMA 5-15P)
6T	6ft cord- twist lock plug (NEMA L7-15P or NEMA L8-20P)
10N	10ft cord - no plug
10S	10ft cord - standard 3-prong plug (NEMA 5-15P)
10T	10ft cord - twist lock plug (NEMA L7-15P or NEMA L8-20P)

#### Emergency Backup Options:

CODE	FEATURES
PS01	PowerSentry PS1050 120-277v

#### Sensor Options:

CODE	FEATURES
SS21	Sensor Switch SBOR 6 - high mounting heights - on/off control
SS32	Sensor Switch SBOR 10 - low mounting heights - on/off control
SS33	Sensor Switch SBOR 6D - high mounting heights - occupancy controlled dimming
SS34	Sensor Switch SBOR 10D - low mounting heights - occupancy controlled dimming

## FVT / LED Vapor Tight

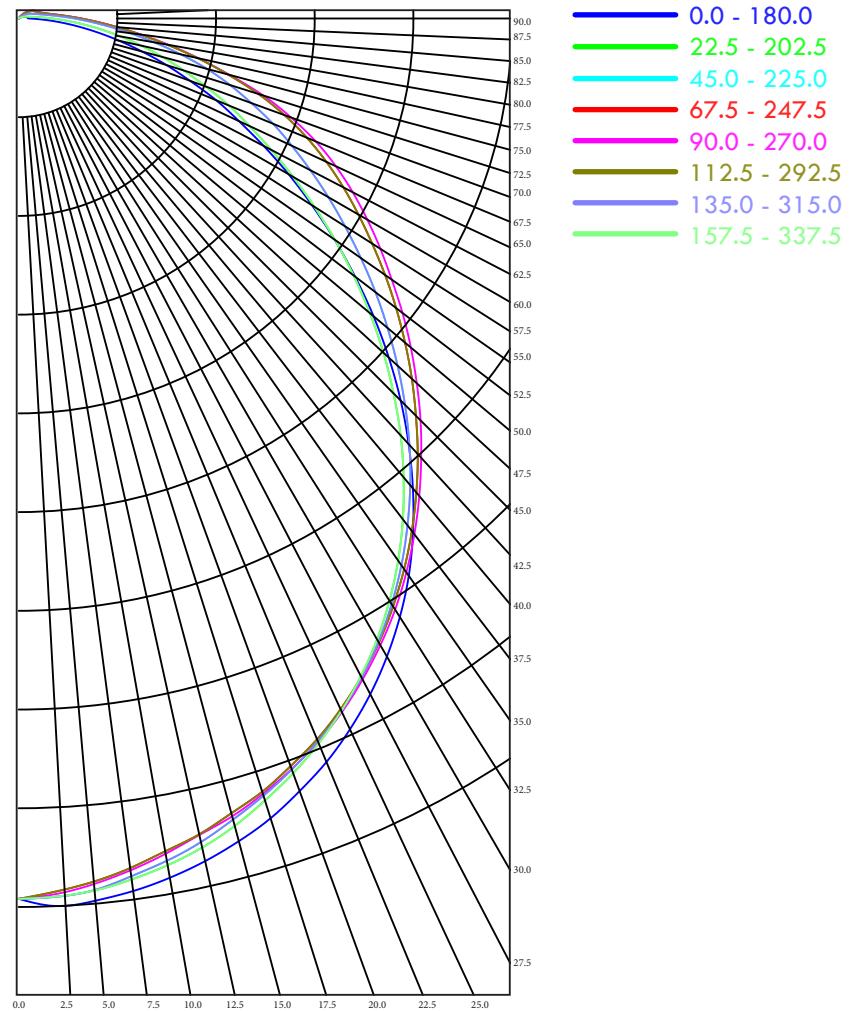
### PHOTOMETRIC DATA

Below is the photometric data information for a 1 x 4 fixture.

#### Zonal lumen summary

ZONE	LUMENS	% OF FIXTURE
0-30	609	36.5
0-40	989	42.9
0-60	1713	74.4
0-90	2240	97.3
90-120	55	2.4
90-150	63	2.7
90-180	63	2.7
0-180	2303	100.0

#### Polar plot



Light Output (Lumens)	2303
Watts	16.68
Lumens per Watt (Efficacy)	138.07
Color Accuracy <i>Color Rendering Index (CRI)</i>	83
<b>Light Color</b> Correlated Color Temperature (CCT)	
<b>5095 (Daylight)</b>	
Warm White	Bright White
2700K	3000K
4500K	6500K

All results are according to IESNA LM-79-2008: *Approved Method for the Electrical and Photometric Testing of Solid-State Lighting*. The U.S. Department of Energy (DOE) verifies product test data and results.

Visit [www.lightingfacts.com](http://www.lightingfacts.com) for the Label Reference Guide.

Registration Number: 61VT-POHFOI (12/8/2016)

Model Number: FVT42250-02

Type: Luminaire - Linear

## FVT / LED Vapor Tight

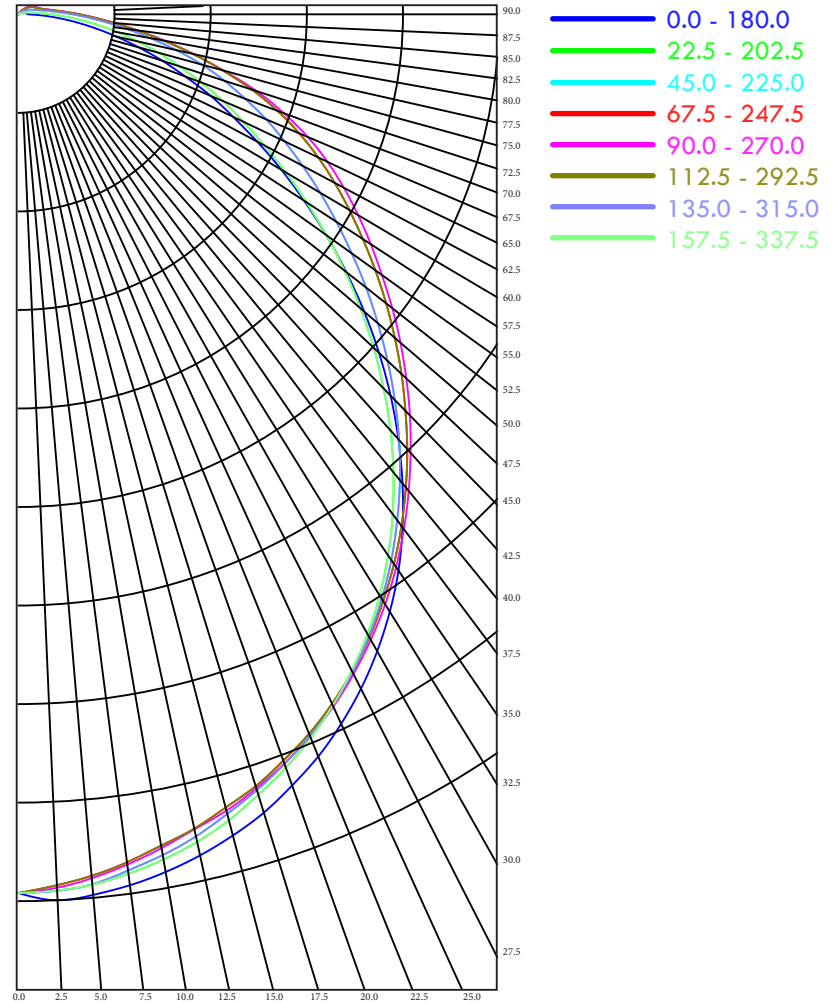
### PHOTOMETRIC DATA

Below is the photometric data information for a 1 x 8 fixture.

#### Zonal lumen summary

ZONE	LUMENS	% OF FIXTURE
0-30	1045	26.5
0-40	1697	42.9
0-60	2939	74.4
0-90	3843	97.3
90-120	95	2.4
90-150	108	2.7
90-180	108	2.7
0-180	3951	100.0

#### Polar plot



Light Output (Lumens)	3951
Watts	29.63
Lumens per Watt (Efficacy)	133.34
Color Accuracy Color Rendering Index (CRI)	83
<b>Light Color</b> Correlated Color Temperature (CCT)	<b>3511 (Bright White)</b>
Warm White	Bright White
2700K	3000K
	4500K
	Daylight
	6500K

All results are according to IESNA LM-79-2008: *Approved Method for the Electrical and Photometric Testing of Solid-State Lighting*. The U.S. Department of Energy (DOE) verifies product test data and results.

Visit [www.lightingfacts.com](http://www.lightingfacts.com) for the Label Reference Guide.

Registration Number: 61VT-HLJDDO (12/8/2016)

Model Number: FVT84035-02

Type: Luminaire - Linear

## FVT / LED Vapor Tight

### SCALED PERFORMANCE TABLE

Part #	Dimensions	Initial Light Output (lumens)	Input Power (W)	Luminaire Efficacy (lm/w)	CCT	DLCv4.1 (Tier)
FVT42235-[blank,SR,CH,C,E,S,SS,M]-02	1x4	2195	16.70	131.4	3471	Premium
FVT42240-[blank,SR,CH,C,E,S,SS,M]-02	1x4	2269	16.95	133.9	3954	Premium
FVT42250-[blank,SR,CH,C,E,S,SS,M]-02	1x4	2303	16.68	138.1	5095	Premium
FVT42535-[blank,SR,CH,C,E,S,SS,M]-02	1x4	2361	18.57	127.1	3477	Premium
FVT42540-[blank,SR,CH,C,E,S,SS,M]-02	1x4	2440	18.85	129.5	3954	Premium
FVT42550-[blank,SR,CH,C,E,S,SS,M]-02	1x4	2477	18.55	133.6	5095	Premium
FVT42735-[blank,SR,CH,C,E,S,SS,M]-02	1x4	2614	20.73	126.1	3474	Standard
FVT42740-[blank,SR,CH,C,E,S,SS,M]-02	1x4	2702	21.04	128.4	3954	Premium
FVT42750-[blank,SR,CH,C,E,S,SS,M]-02	1x4	2742	20.71	132.5	5095	Premium
FVT43035-[blank,SR,CH,C,E,S,SS,M]-02	1x4	2767	22.50	123.0	3503	Standard
FVT43040-[blank,SR,CH,C,E,S,SS,M]-02	1x4	2860	22.84	125.2	3954	Standard
FVT43050-[blank,SR,CH,C,E,S,SS,M]-02	1x4	2903	22.47	129.2	5095	Premium
FVT43235-[blank,SR,CH,C,E,S,SS,M]-02	1x4	3082	24.74	124.6	3481	Standard
FVT43240-[blank,SR,CH,C,E,S,SS,M]-02	1x4	3186	25.11	126.9	3954	Premium
FVT43250-[blank,SR,CH,C,E,S,SS,M]-02	1x4	3233	24.71	130.9	5095	Premium
FVT43535-[blank,SR,CH,C,E,S,SS,M]-02	1x4	3353	27.32	122.7	3485	Standard
FVT43540-[blank,SR,CH,C,E,S,SS,M]-02	1x4	3466	27.73	125.0	3954	Standard
FVT43550-[blank,SR,CH,C,E,S,SS,M]-02	1x4	3518	27.29	128.9	5095	Premium
FVT43735-[blank,SR,CH,C,E,S,SS,M]-02	1x4	3580	29.38	121.9	3495	Standard
FVT43740-[blank,SR,CH,C,E,S,SS,M]-02	1x4	3701	29.82	124.1	3954	Standard
FVT43750-[blank,SR,CH,C,E,S,SS,M]-02	1x4	3756	29.34	128.0	5095	Premium
FVT44035-[blank,SR,CH,C,E,S,SS,M]-02	1x4	3872	31.86	121.5	3506	Standard
FVT44040-[blank,SR,CH,C,E,S,SS,M]-02	1x4	4002	32.34	123.8	3954	Standard
FVT44050-[blank,SR,CH,C,E,S,SS,M]-02	1x4	4062	31.82	127.7	5095	Premium
FVT83035-[blank,SR,CH,C,E,S,SS,M]-02	1x8	2972	22.49	132.1	3459	Premium
FVT83040-[blank,SR,CH,C,E,S,SS,M]-02	1x8	3072	22.83	134.6	3954	Premium
FVT83050-[blank,SR,CH,C,E,S,SS,M]-02	1x8	3118	22.46	138.8	5095	Premium
FVT83535-[blank,SR,CH,C,E,S,SS,M]-02	1x8	3430	26.04	131.7	3492	Premium
FVT83540-[blank,SR,CH,C,E,S,SS,M]-02	1x8	3545	26.43	134.1	3954	Premium
FVT83550-[blank,SR,CH,C,E,S,SS,M]-02	1x8	3599	26.01	138.4	5095	Premium
FVT84035-[blank,SR,CH,C,E,S,SS,M]-02	1x8	3951	29.63	133.3	3511	Premium
FVT84040-[blank,SR,CH,C,E,S,SS,M]-02	1x8	4084	30.07	135.8	3954	Premium
FVT84050-[blank,SR,CH,C,E,S,SS,M]-02	1x8	4145	29.59	140.1	5095	Premium
FVT84535-[blank,SR,CH,C,E,S,SS,M]-02	1x8	4419	33.34	132.5	3523	Premium
FVT84540-[blank,SR,CH,C,E,S,SS,M]-02	1x8	4568	33.84	135.0	3954	Premium
FVT84550-[blank,SR,CH,C,E,S,SS,M]-02	1x8	4636	33.30	139.2	5095	Premium
FVT85035-[blank,SR,CH,C,E,S,SS,M]-02	1x8	4897	37.20	131.6	3529	Premium
FVT85040-[blank,SR,CH,C,E,S,SS,M]-02	1x8	5062	37.76	134.1	3954	Premium
FVT85050-[blank,SR,CH,C,E,S,SS,M]-02	1x8	5138	37.16	138.3	5095	Premium

## FVT / LED Vapor Tight

### SCALED PERFORMANCE TABLE

FVT85535-[blank,SR,CH,C,E,S,SS,M]-02	1x8	5228	41.46	126.1	3496	Standard
FVT85540-[blank,SR,CH,C,E,S,SS,M]-02	1x8	5404	42.08	128.4	3954	Premium
FVT85550-[blank,SR,CH,C,E,S,SS,M]-02	1x8	5485	41.41	132.5	5095	Premium
FVT86035-[blank,SR,CH,C,E,S,SS,M]-02	1x8	5534	45.00	123.0	3496	Standard
FVT86040-[blank,SR,CH,C,E,S,SS,M]-02	1x8	5720	45.67	125.2	3954	Standard
FVT86050-[blank,SR,CH,C,E,S,SS,M]-02	1x8	5806	44.95	129.2	5095	Premium
FVT86535-[blank,SR,CH,C,E,S,SS,M]-02	1x8	6164	49.48	124.6	3496	Standard
FVT86540-[blank,SR,CH,C,E,S,SS,M]-02	1x8	6372	50.22	126.9	3954	Premium
FVT86550-[blank,SR,CH,C,E,S,SS,M]-02	1x8	6467	49.42	130.9	5095	Premium
FVT87035-[blank,SR,CH,C,E,S,SS,M]-02	1x8	6820	54.33	125.5	3544	Standard
FVT87040-[blank,SR,CH,C,E,S,SS,M]-02	1x8	7050	55.14	127.8	3954	Premium
FVT87050-[blank,SR,CH,C,E,S,SS,M]-02	1x8	7155	54.26	131.9	5095	Premium
FVT87535-[blank,SR,CH,C,E,S,SS,M]-02	1x8	7160	58.76	121.9	3496	Standard
FVT87540-[blank,SR,CH,C,E,S,SS,M]-02	1x8	7401	59.64	124.1	3954	Standard
FVT87550-[blank,SR,CH,C,E,S,SS,M]-02	1x8	7512	58.69	128.0	5095	Premium
FVT88035-[blank,SR,CH,C,E,S,SS,M]-02	1x8	7744	63.72	121.5	3496	Standard
FVT88040-[blank,SR,CH,C,E,S,SS,M]-02	1x8	8005	64.67	123.8	3954	Standard
FVT88050-[blank,SR,CH,C,E,S,SS,M]-02	1x8	8125	63.64	127.7	5095	Premium

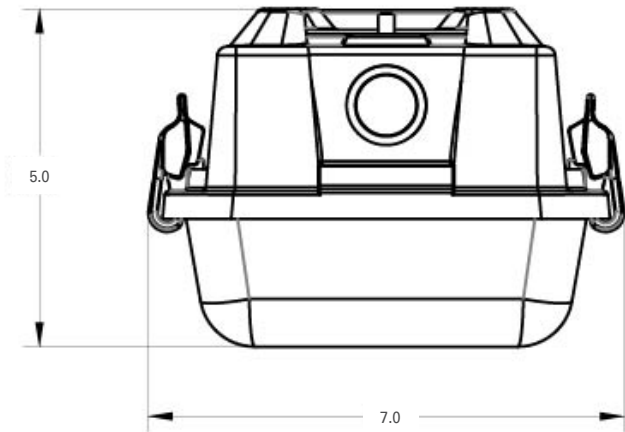
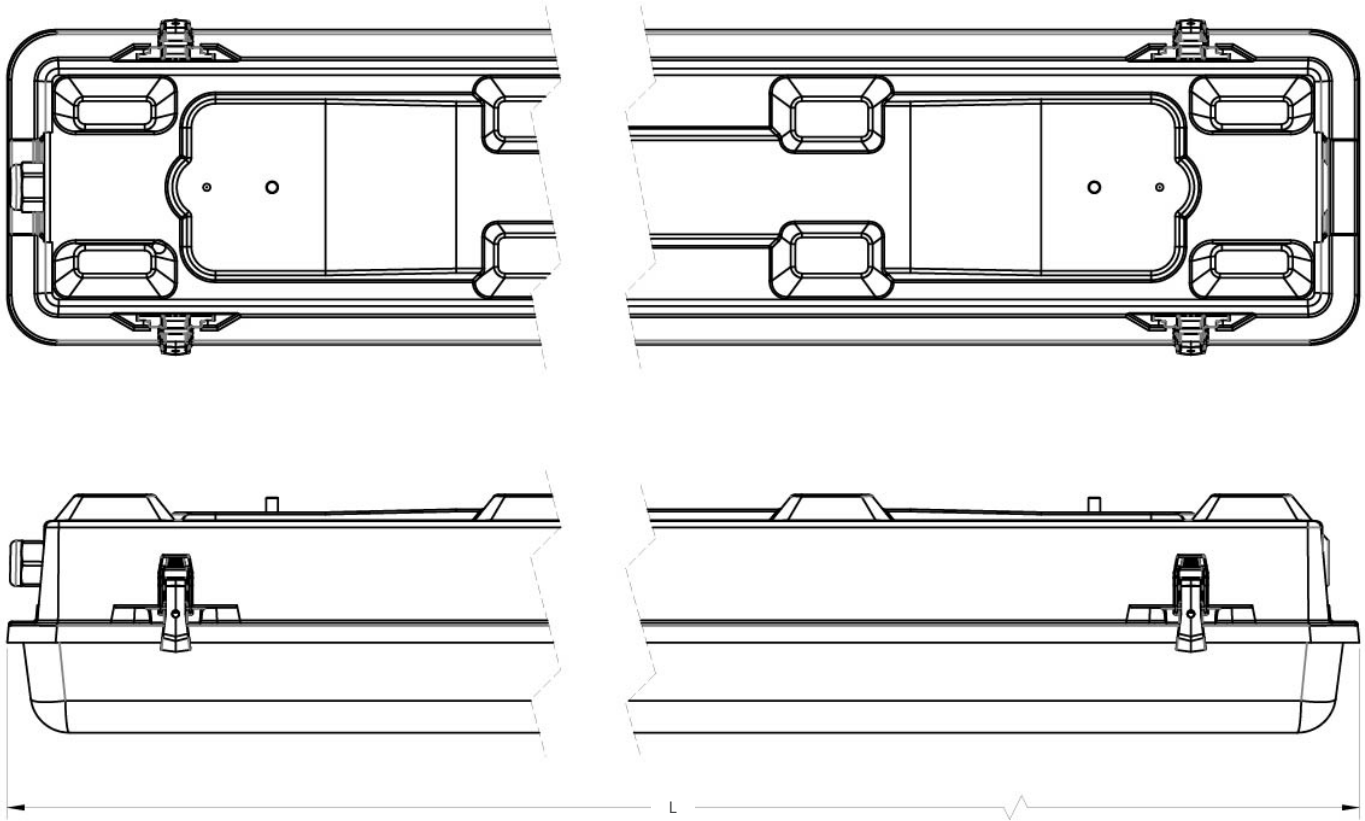
### APPLICATION NOTES

Actual performance may vary by up to +/-10% of values listed.  
See IES file for actual values.

See DLC QPL for listed models.

**FVT / LED Vapor Tight**

**FIXTURE DIMENSIONS**



MODEL	LENGTH "L" (INCHES)
FVT4	49.9
FVT8	97.9



**FVT / LED Vapor Tight**

**ADDITIONAL PRODUCT IMAGES**

**1x4 fixture**



**1x8 fixture**

